



**YASHIMA  
NBV Co.,LTD**



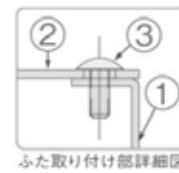
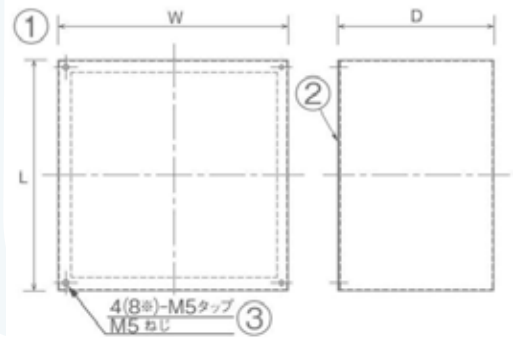
<u>Civilian Specifications</u>	<b>3</b>
<u>Infrasstructure, Transport Specification</u>	<b>5</b>
<u>Stainless Steel</u>	<b>8</b>
<u>Hot Clip Galvanized</u>	<b>14</b>
<u>High Corrosion Resistance Plated Steel Plate</u>	<b>26</b>

## PULL BOX

## Civilian Specifications (Anti-rust)/Flat Lid

TABLE OF PRODUCT STANDARD

SERIAL PRODUCT	SIZE		
	L	W	D
IP1007SG	100	100	75
IP1010SG	100	100	100
IP1507SG	150	150	75
IP1510SG	150	150	100
IP1515SG	150	150	150
IP2010SG	200	200	100
IP2015SG	200	200	150
IP2020SG	200	200	200
IP2510SG	250	250	100
IP2515SG	250	250	150
IP2520SG	250	250	200
IP2525SG	250	250	250
IP3010SG	300	300	100
IP3015SG	300	300	150
IP3020SG	300	300	200
IP3025SG	300	300	250
IP3030SG	300	300	300
IP3535SG	350	350	350
IP4020SG	400	400	200
IP4030SG	400	400	300
IP4040SG	400	400	400
IP5020SG	500	500	200
IP5030SG	500	500	300
IP5040SG	500	500	400
IP5050SG	500	500	500
IP6030SG	600	600	300
IP6040SG	600	600	400
IP6050SG	600	600	500
IP6060SG	600	600	600



✓ Material: SPHC, plate thickness 1.6 mm.

✓ Antirust.

✓ In addition to listed specs, we tailor designs to fit customer needs. Contact for details.



Civilian Specifications (Anti-rust)/Covering Lid

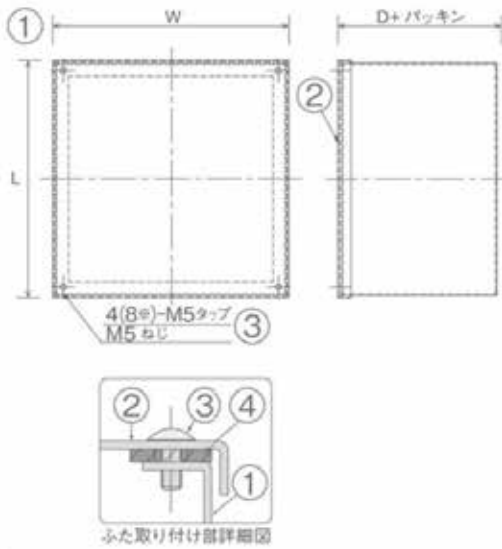


TABLE OF PRODUCT STANDARD

SERIAL PRODUCT	SIZE		
	L	W	D
IP1007WG	100	100	75
IP1010WG	100	100	100
IP1507WG	150	150	75
IP1510WG	150	150	100
IP1515WG	150	150	150
IP2010WG	200	200	100
IP2015WG	200	200	150
IP2020WG	200	200	200
IP2510WG	250	250	100
IP2515WG	250	250	150
IP2520WG	250	250	200
IP2525WG	250	250	250
IP3010WG	300	300	100
IP3015WG	300	300	150
IP3020WG	300	300	200
IP3025WG	300	300	250
IP3030WG	300	300	300
IP3520WG	350	350	200
IP3530WG	350	350	300
IP3535WG	350	350	350
IP4020WG	400	400	200
IP4030WG	400	400	300
IP4040WG	400	400	400
IP5020WG	500	500	200
IP5030WG	500	500	300
IP5040WG	500	500	400
IP5050WG	500	500	500
IP6030WG	600	600	300
IP6040WG	600	600	400
IP6050WG	600	600	500
IP6060WG	600	600	600

PULL BOX

CABLE DUCT

CABLE LADDER

STEEL CONDUIT

FLEXIBLE CONDUIT

CONDUIT FITTINGS

FLEXIBLE CONDUIT FITTINGS

STEEL BOX

CONDUIT BODIES

PLASTIC FITTINGS

PULICA FITTINGS

✓ Material: SPHC, plate thickness 1.6 mm.

✓ Antirust.

✓ In addition to listed specs, we tailor designs to fit customer needs. Contact for details.

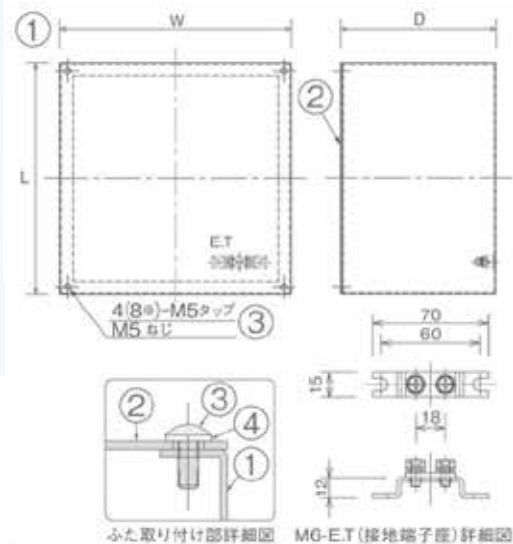


# REFERENCE

## Infrasstructure, Transport Specification (Anti-rust)/Flat Lid

### TABLE OF PRODUCT STANDARD

SERIAL PRODUCT	SIZE		
	L	W	D
BE1007SG	100	100	75
BE1010SG	100	100	100
BE1507SG	150	150	75
BE1510SG	150	150	100
BE1515SG	150	150	150
BE2010SG	200	200	100
BE2015SG	200	200	150
BE2020SG	200	200	200
BE2510SG	250	250	100
BE2515SG	250	250	150
BE2520SG	250	250	200
BE2525SG	250	250	250
BE3010SG	300	300	100
BE3015SG	300	300	150
BE3020SG	300	300	200
BE3025SG	300	300	250
BE3030SG	300	300	300
BE3520SG	350	350	200
BE3530SG	350	350	300
BE3535SG	350	350	350
BE4020SG	400	400	200
BE4030SG	400	400	300
BE4040SG	400	400	400
BE5020SG	500	500	200
BE5030SG	500	500	300
BE5040SG	500	500	400
BE5050SG	500	500	500
BE6030SG	600	600	300
BE6040SG	600	600	400
BE6050SG	600	600	500
BE6060SG	600	600	600



✓ Material: SPC, plate thickness 1.6 mm.

✓ Antirust.

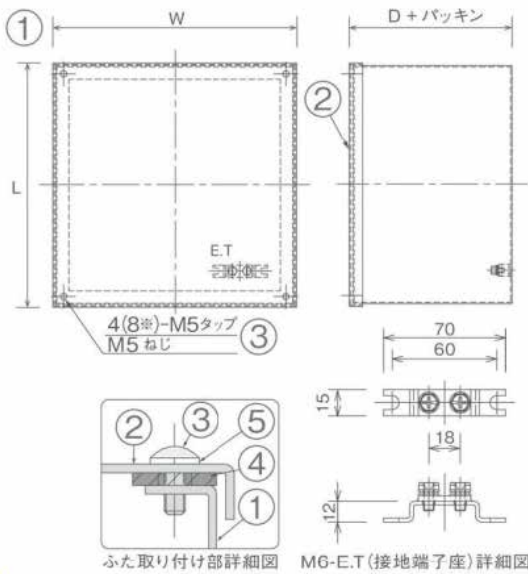
✓ In addition to listed specs, we tailor designs to fit customer needs. Contact for details.

Infrasstructure, Transport Specification (Anti-rust)/Covering Lid



TABLE OF PRODUCT STANDARD

SERIAL PRODUCT	SIZE		
	L	W	D
BE1007WG	100	100	75
BE1010WG	100	100	100
BE1507WG	150	150	75
BE1510WG	150	150	100
BE1515WG	150	150	150
BE2010WG	200	200	100
BE2015WG	200	200	150
BE2020WG	200	200	200
BE2510WG	250	250	100
BE2515WG	250	250	150
BE2520WG	250	250	200
BE2525WG	250	250	250
BE3010WG	300	300	100
BE3015WG	300	300	150
BE3020WG	300	300	200
BE3025WG	300	300	250
BE3030WG	300	300	300
BE3520WG	350	350	200
BE3530WG	350	350	300
BE3535WG	350	350	350
BE4020WG	400	400	200
BE4030WG	400	400	300
BE4040WG	400	400	400
BE5020WG	500	500	200
BE5030WG	500	500	300
BE5040WG	500	500	400
BE5050WG	500	500	500
BE6030WG	600	600	300
BE6040WG	600	600	400
BE6050WG	600	600	500
BE6060WG	600	600	600



✓ Material: SPC, plate thickness 1.6 mm.

✓ Antirust.

✓ In addition to listed specs, we tailor designs to fit customer needs. Contact for details.

PULL BOX

CABLE DUCT

CABLE LADDER

STEEL CONDUIT

FLEXIBLE CONDUIT

CONDUIT FITTINGS

FLEXIBLE CONDUIT FITTINGS

STEEL BOX

CONDUIT BODIES

PLASTIC FITTINGS

PULICA FITTINGS





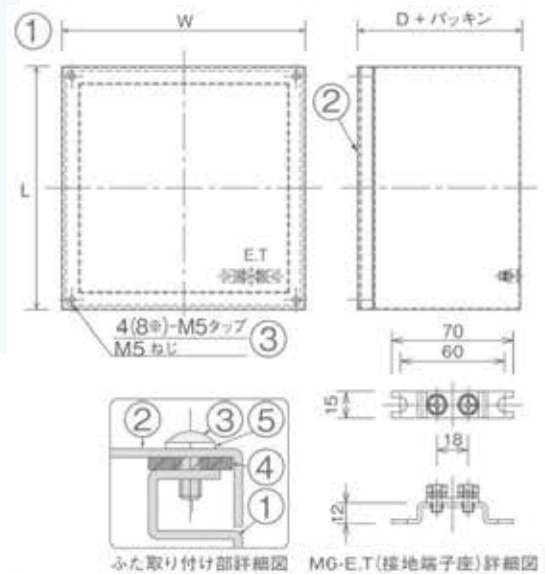
# REFERENCE

## Infrasstructure, Transport Specification (Anti-rust)/Waterproof



### TABLE OF PRODUCT STANDARD

SERIAL PRODUCT	SIZE		
	L	W	D
BE1007XG	100	100	75
BE1010XG	100	100	100
BE1507XG	150	150	75
BE1510XG	150	150	100
BE1515XG	150	150	150
BE2010XG	200	200	100
BE2015XG	200	200	150
BE2020XG	200	200	200
BE2510XG	250	250	100
BE2515XG	250	250	150
BE2520XG	250	250	200
BE2525XG	250	250	250
BE3010XG	300	300	100
BE3015XG	300	300	150
BE3020XG	300	300	200
BE3025XG	300	300	250
BE3030XG	300	300	300
BE3520XG	350	350	200
BE3530XG	350	350	300
BE3535XG	350	350	350
BE4020XG	400	400	200
BE4030XG	400	400	300
BE4040XG	400	400	400
BE5020XG	500	500	200
BE5030XG	500	500	300
BE5040XG	500	500	400
BE5050XG	500	500	500
BE6030XG	600	600	300
BE6040XG	600	600	400
BE6050XG	600	600	500
BE6060XG	600	600	600



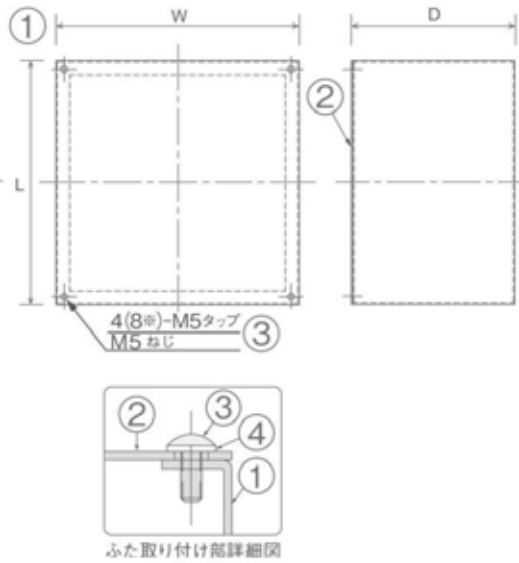
✓ Material: SPC, plate thickness 1.6 mm.

✓ Antirust+Waterproof.

✓ In addition to listed specs, we tailor designs to fit customer needs. Contact for details.



**Stainless Steel/Flat Lid**



**TABLE OF PRODUCT STANDARD**

SERIAL PRODUCT	SIZE		
	L	W	D
SP1007SN	100	100	75
SP1010SN	100	100	100
SP1507SN	150	150	75
SP1510SN	150	150	100
SP1515SN	150	150	150
SP2010SN	200	200	100
SP2015SN	200	200	150
SP2020SN	200	200	200
SP2510SN	250	250	100
SP2515SN	250	250	150
SP2520SN	250	250	200
SP2525SN	250	250	250
SP3010SN	300	300	100
SP3015SN	300	300	150
SP3020SN	300	300	200
SP3025SN	300	300	250
SP3030SN	300	300	300
SP3520SN	350	350	200
SP3530SN	350	350	300
SP3535SN	350	350	350
SP4020SN	400	400	200
SP4030SN	400	400	300
SP4040SN	400	400	400
SP5020SN	500	500	200
SP5030SN	500	500	300
SP5040SN	500	500	400
SP5050SN	500	500	500
SP6030SN	600	600	300
SP6040SN	600	600	400
SP6050SN	600	600	500
SP6060SN	600	600	600

- PULL BOX
- CABLE DUCT
- CABLE LADDER
- STEEL CONDUIT
- FLEXIBLE CONDUIT
- CONDUIT FITTINGS
- FLEXIBLE CONDUIT FITTINGS
- STEEL BOX
- CONDUIT BODIES
- PLASTIC FITTINGS
- PULICA FITTINGS

√ Material: SUS304, plate thickness 1.5 mm.

√ Stainless steel.

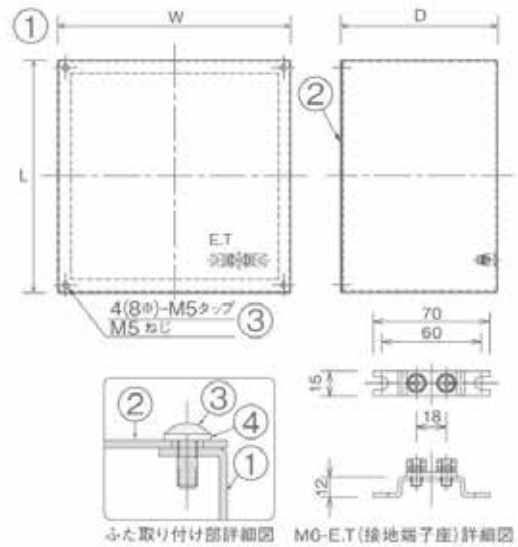
√ In addition to listed specs, we tailor designs to fit customer needs. Contact for details.

# REFERENCE

## Stainless Steel/Flat Lid

**TABLE OF PRODUCT STANDARD**

SERIAL PRODUCT	SIZE		
	L	W	D
SE1007SN	100	100	75
SE1010SN	100	100	100
SE1507SN	150	150	75
SE1510SN	150	150	100
SE1515SN	150	150	150
SE2010SN	200	200	100
SE2015SN	200	200	150
SE2020SN	200	200	200
SE2510SN	250	250	100
SE2515SN	250	250	150
SE2520SN	250	250	200
SE2525SN	250	250	250
SE3010SN	300	300	100
SE3015SN	300	300	150
SE3020SN	300	300	200
SE3025SN	300	300	250
SE3030SN	300	300	300
SE3520SN	350	350	200
SE3530SN	350	350	300
SE3535SN	350	350	350
SE4020SN	400	400	200
SE4030SN	400	400	300
SE4040SN	400	400	400
SE5020SN	500	500	200
SE5030SN	500	500	300
SE5040SN	500	500	400
SE5050SN	500	500	500
SE6030SN	600	600	300
SE6040SN	600	600	400
SE6050SN	600	600	500
SE6060SN	600	600	600



✓ Material: SUS304, plate thickness 1.5 mm.

✓ Stainless steel.

✓ In addition to listed specs, we tailor designs to fit customer needs. Contact for details.

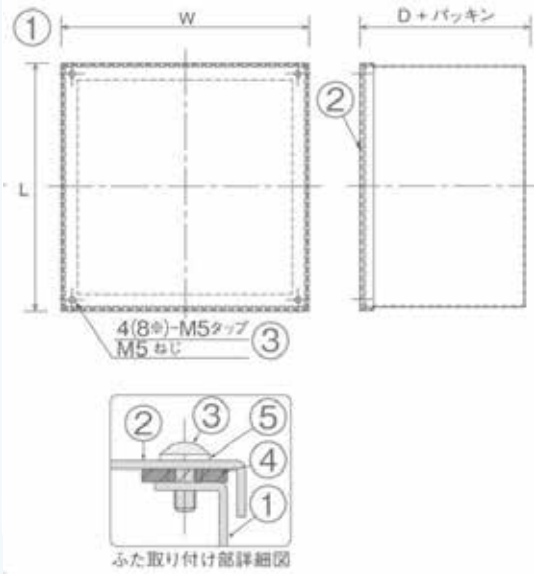


**Stainless Steel/Covering Lid**



**TABLE OF PRODUCT STANDARD**

SERIAL PRODUCT	SIZE		
	L	W	D
SP1007WN	100	100	75
SP1010WN	100	100	100
SP1507WN	150	150	75
SP1510WN	150	150	100
SP1515WN	150	150	150
SP2010WN	200	200	100
SP2015WN	200	200	150
SP2020WN	200	200	200
SP2510WN	250	250	100
SP2515WN	250	250	150
SP2520WN	250	250	200
SP2525WN	250	250	250
SP3010WN	300	300	100
SP3015WN	300	300	150
SP3020WN	300	300	200
SP3025WN	300	300	250
SP3030WN	300	300	300
SP3520WN	350	350	200
SP3530WN	350	350	300
SP3535WN	350	350	350
SP4020WN	400	400	200
SP4030WN	400	400	300
SP4040WN	400	400	400
SP5020WN	500	500	200
SP5030WN	500	500	300
SP5040WN	500	500	400
SP5050WN	500	500	500
SP6030WN	600	600	300
SP6040WN	600	600	400
SP6050WN	600	600	500
SP6060WN	600	600	600



- ✓ Material: SUS304, plate thickness 1.5 mm.
- ✓ Stainless steel.
- ✓ In addition to listed specs, we tailor designs to fit customer needs. Contact for details.

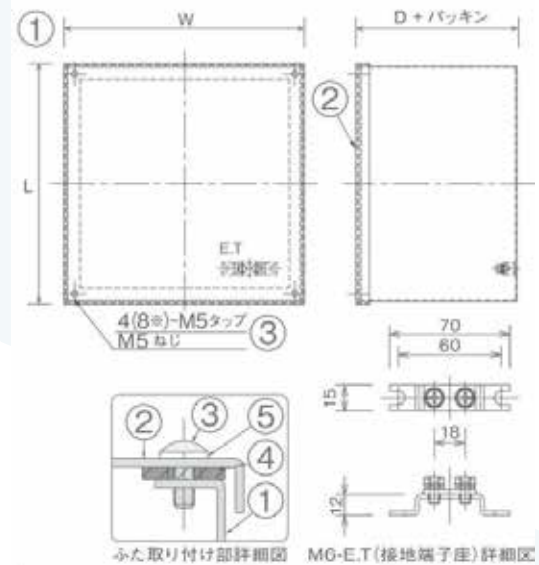
- PULL BOX
- CABLE DUCT
- CABLE LADDER
- STEEL CONDUIT
- FLEXIBLE CONDUIT
- CONDUIT FITTINGS
- FLEXIBLE CONDUIT FITTINGS
- STEEL BOX
- CONDUIT BODIES
- PLASTIC FITTINGS
- PULICA FITTINGS

# REFERENCE

## Stainless Steel/Covering Lid

### TABLE OF PRODUCT STANDARD

SERIAL PRODUCT	SIZE		
	L	W	D
SE1007WN	100	100	75
SE1010WN	100	100	100
SE1507WN	150	150	75
SE1510WN	150	150	100
SE1515WN	150	150	150
SE2010WN	200	200	100
SE2015WN	200	200	150
SE2020WN	200	200	200
SE2510WN	250	250	100
SE2515WN	250	250	150
SE2520WN	250	250	200
SE2525WN	250	250	250
SE3010WN	300	300	100
SE3015WN	300	300	150
SE3020WN	300	300	200
SE3025WN	300	300	250
SE3030WN	300	300	300
SE3520WN	350	350	200
SE3530WN	350	350	300
SE3535WN	350	350	350
SE4020WN	400	400	200
SE4030WN	400	400	300
SE4040WN	400	400	400
SE5020WN	500	500	200
SE5030WN	500	500	300
SE5040WN	500	500	400
SE5050WN	500	500	500
SE6030WN	600	600	300
SE6040WN	600	600	400
SE6050WN	600	600	500
SE6060WN	600	600	600



✓ Material: SUS304, plate thickness 1.5 mm.

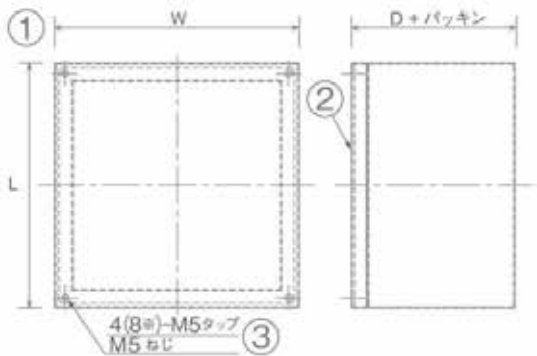
✓ Stainless steel.

✓ In addition to listed specs, we tailor designs to fit customer needs. Contact for details.



**Stainless Steel/Waterproof**

**TABLE OF PRODUCT STANDARD**



✓ Material: SUS304, plate thickness 1.5 mm.

✓ Stainless steel+Waterproof.

✓ In addition to listed specs, we tailor designs to fit customer needs. Contact for details.

SERIAL PRODUCT	SIZE		
	L	W	D
SP1007XN	100	100	75
SP1010XN	100	100	100
SP1507XN	150	150	75
SP1510XN	150	150	100
SP1515XN	150	150	150
SP2010XN	200	200	100
SP2015XN	200	200	150
SP2020XN	200	200	200
SP2510XN	250	250	100
SP2515XN	250	250	150
SP2520XN	250	250	200
SP2525XN	250	250	250
SP3010XN	300	300	100
SP3015XN	300	300	150
SP3020XN	300	300	200
SP3025XN	300	300	250
SP3030XN	300	300	300
SP3520XN	350	350	200
SP3530XN	350	350	300
SP3535XN	350	350	350
SP4020XN	400	400	200
SP4030XN	400	400	300
SP4040XN	400	400	400
SP5020XN	500	500	200
SP5030XN	500	500	300
SP5040XN	500	500	400
SP5050XN	500	500	500
SP6030XN	600	600	300
SP6040XN	600	600	400
SP6050XN	600	600	500
SP6060XN	600	600	600

PULL BOX

CABLE DUCT

CABLE LADDER

STEEL CONDUIT

FLEXIBLE CONDUIT

CONDUIT FITTINGS

FLEXIBLE CONDUIT FITTINGS

STEEL BOX

CONDUIT BODIES

PLASTIC FITTINGS

PULICA FITTINGS

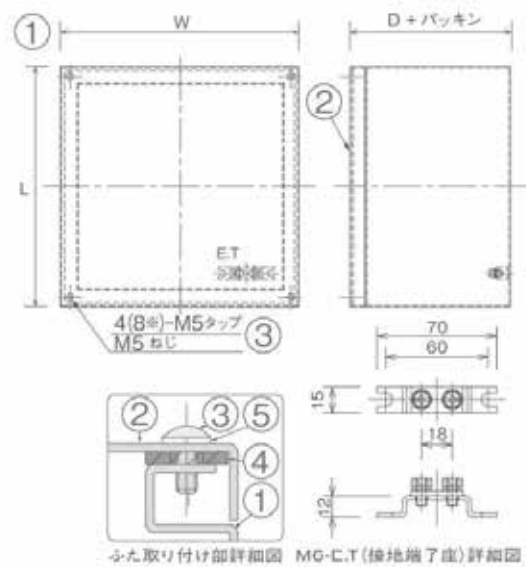


# REFERENCE

## Stainless Steel/Waterproof

### TABLE OF PRODUCT STANDARD

SERIAL PRODUCT	SIZE		
	L	W	D
SE1007XN	100	100	75
SE1010XN	100	100	100
SE1507XN	150	150	75
SE1510XN	150	150	100
SE1515XN	150	150	150
SE2010XN	200	200	100
SE2015XN	200	200	150
SE2020XN	200	200	200
SE2510XN	250	250	100
SE2515XN	250	250	150
SE2520XN	250	250	200
SE2525XN	250	250	250
SE3010XN	300	300	100
SE3015XN	300	300	150
SE3020XN	300	300	200
SE3025XN	300	300	250
SE3030XN	300	300	300
SE3520XN	350	350	200
SE3530XN	350	350	300
SE3535XN	350	350	350
SE4020XN	400	400	200
SE4030XN	400	400	300
SE4040XN	400	400	400
SE5020XN	500	500	200
SE5030XN	500	500	300
SE5040XN	500	500	400
SE5050XN	500	500	500
SE6030XN	600	600	300
SE6040XN	600	600	400
SE6050XN	600	600	500
SE6060XN	600	600	600



✓ Material: SUS304, plate thickness 1.5 mm.

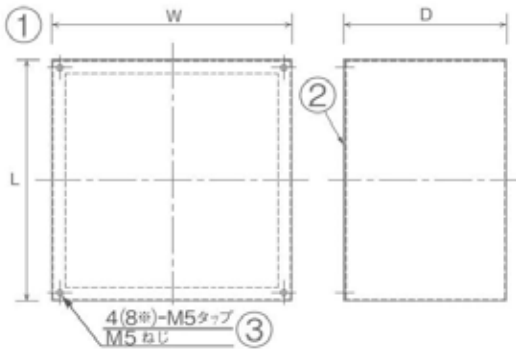
✓ Stainless steel.

✓ In addition to listed specs, we tailor designs to fit customer needs. Contact for details.



Hot Clip Galvanized/Flat Lid

TABLE OF PRODUCT STANDARD



✓ Material: SPHC, plate thickness 2.3 mm.

✓ Hot dip galvanized.

✓ In addition to listed specs, we tailor designs to fit customer needs. Contact for details.

SERIAL PRODUCT	SIZE		
	L	W	D
ZP1007S2	100	100	75
ZP1010S2	100	100	100
ZP1507S2	150	150	75
ZP1510S2	150	150	100
ZP1515S2	150	150	150
ZP2010S2	200	200	100
ZP2015S2	200	200	150
ZP2020S2	200	200	200
ZP2510S2	250	250	100
ZP2515S2	250	250	150
ZP2520S2	250	250	200
ZP2525S2	250	250	250
ZP3010S2	300	300	100
ZP3015S2	300	300	150
ZP3020S2	300	300	200
ZP3025S2	300	300	250
ZP3030S2	300	300	300
ZP3520S2	350	350	200
ZP3530S2	350	350	300
ZP3535S2	350	350	350
ZP4020S2	400	400	200
ZP4030S2	400	400	300
ZP4040S2	400	400	400
ZP5020S2	500	500	200
ZP5030S2	500	500	300
ZP5040S2	500	500	400
ZP5050S2	500	500	500
ZP6030S2	600	600	300
ZP6040S2	600	600	400
ZP6050S2	600	600	500
ZP6060S2	600	600	600

PULL BOX

CABLE DUCT

CABLE LADDER

STEEL CONDUIT

FLEXIBLE CONDUIT

CONDUIT FITTINGS

FLEXIBLE CONDUIT FITTINGS

STEEL BOX

CONDUIT BODIES

PLASTIC FITTINGS

PULICA FITTINGS



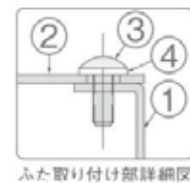
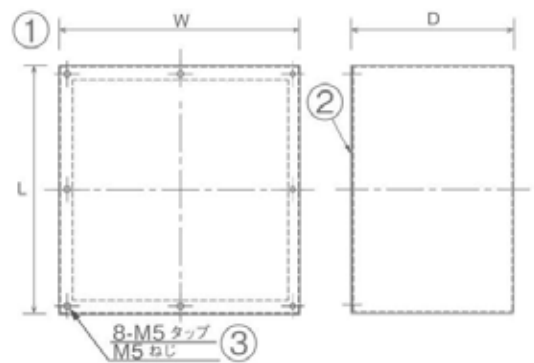


# REFERENCE

## Hot Clip Galvanized/Flat Lid

### TABLE OF PRODUCT STANDARD

SERIAL PRODUCT	SIZE		
	L	W	D
ZP3520S3	350	350	200
ZP3530S3	350	350	300
ZP3535S3	350	350	350
ZP4020S3	400	400	200
ZP4030S3	400	400	300
ZP4040S3	400	400	400
ZP5020S3	500	500	200
ZP5030S3	500	500	300
ZP5040S3	500	500	400
ZP5050S3	500	500	500
ZP6030S3	600	600	300
ZP6040S3	600	600	400
ZP6050S3	600	600	500
ZP6060S3	600	600	600



√ Material: SPHC, plate thickness 3.2 mm.

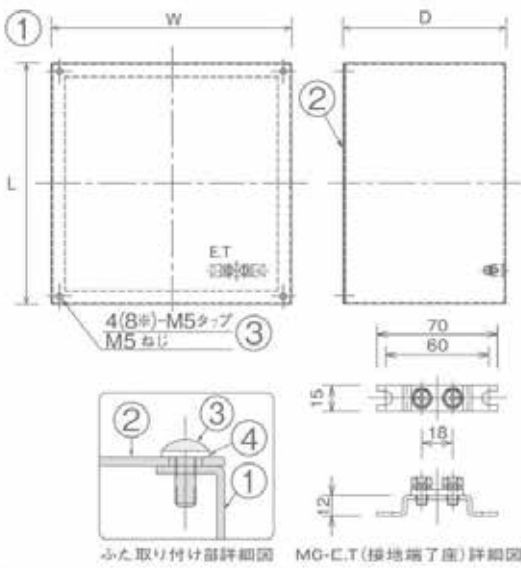
√ Hot dip galvanized.

√ In addition to listed specs, we tailor designs to fit customer needs. Contact for details.



Hot Clip Galvanized/Flat Lid

TABLE OF PRODUCT STANDARD



SERIAL PRODUCT	SIZE		
	L	W	D
ZE1007S2	100	100	75
ZE1010S2	100	100	100
ZE1507S2	150	150	75
ZE1510S2	150	150	100
ZE1515S2	150	150	150
ZE2010S2	200	200	100
ZE2015S2	200	200	150
ZE2020S2	200	200	200
ZE2510S2	250	250	100
ZE2515S2	250	250	150
ZE2520S2	250	250	200
ZE2525S2	250	250	250
ZE3010S2	300	300	100
ZE3015S2	300	300	150
ZE3020S2	300	300	200
ZE3025S2	300	300	250
ZE3030S2	300	300	300
ZE3520S2	350	350	200
ZE3530S2	350	350	300
ZE3535S2	350	350	350
ZE4020S2	400	400	200
ZE4030S2	400	400	300
ZE4040S2	400	400	400
ZE5020S2	500	500	200
ZE5030S2	500	500	300
ZE5040S2	500	500	400
ZE5050S2	500	500	500
ZE6030S2	600	600	300
ZE6040S2	600	600	400
ZE6050S2	600	600	500
ZE6060S2	600	600	600

PULL BOX

CABLE DUCT

CABLE LADDER

STEEL CONDUIT

FLEXIBLE CONDUIT

CONDUIT FITTINGS

FLEXIBLE CONDUIT FITTINGS

STEEL BOX

CONDUIT BODIES

PLASTIC FITTINGS

PULICA FITTINGS

✓ Material: SPHC, plate thickness 2.3 mm.

✓ Hot dip galvanized.

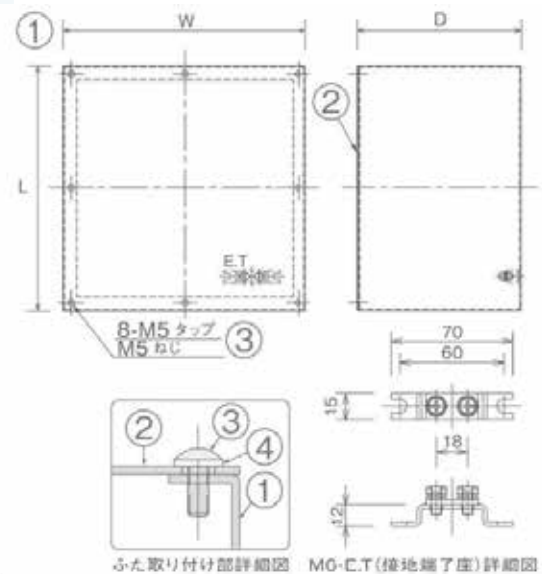
✓ In addition to listed specs, we tailor designs to fit customer needs. Contact for details.

# REFERENCE

## Hot Clip Galvanized/Flat Lid

### TABLE OF PRODUCT STANDARD

SERIAL PRODUCT	SIZE		
	L	W	D
ZP3520S3	350	350	200
ZP3530S3	350	350	300
ZP3535S3	350	350	350
ZP4020S3	400	400	200
ZP4030S3	400	400	300
ZP4040S3	400	400	400
ZP5020S3	500	500	200
ZP5030S3	500	500	300
ZP5040S3	500	500	400
ZP5050S3	500	500	500
ZP6030S3	600	600	300
ZP6040S3	600	600	400
ZP6050S3	600	600	500
ZP6060S3	600	600	600



✓ Material: SPHC, plate thickness 3.2 mm.

✓ Hot dip galvanized.

✓ In addition to listed specs, we tailor designs to fit customer needs. Contact for details.

PULL BOX

CABLE DUCT

CABLE LADDER

STEEL CONDUIT

FLEXIBLE CONDUIT

CONDUIT FITTINGS

FLEXIBLE CONDUIT FITTINGS

STEEL BOX

CONDUIT BODIES

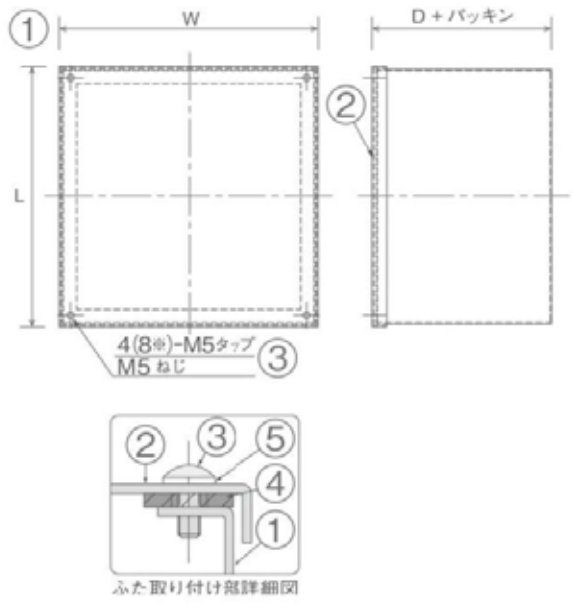
PLASTIC FITTINGS

PULICA FITTINGS



Hot Clip Galvanized/Covering Lid

TABLE OF PRODUCT STANDARD



SERIAL PRODUCT	SIZE		
	L	W	D
ZP1007W2	100	100	75
ZP1010W2	100	100	100
ZP1507W2	150	150	75
ZP1510W2	150	150	100
ZP1515W2	150	150	150
ZP2010W2	200	200	100
ZP2015W2	200	200	150
ZP2020W2	200	200	200
ZP2510W2	250	250	100
ZP2515W2	250	250	150
ZP2520W2	250	250	200
ZP2525W2	250	250	250
ZP3010W2	300	300	100
ZP3015W2	300	300	150
ZP3020W2	300	300	200
ZP3025W2	300	300	250
ZP3030W2	300	300	300
ZP3520S2	350	350	200
ZP3530W2	350	350	300
ZP3535W2	350	350	350
ZP4020W2	400	400	200
ZP4030W2	400	400	300
ZP4040W2	400	400	400
ZP5020W2	500	500	200
ZP5030W2	500	500	300
ZP5040W2	500	500	400
ZP5050W2	500	500	500
ZP6030W2	600	600	300
ZP6040W2	600	600	400
ZP6050W2	600	600	500
ZP6060W2	600	600	600

- ✓ Material: SPHC, plate thickness 2.3 mm.
- ✓ Hot dip galvanized.
- ✓ In addition to listed specs, we tailor designs to fit customer needs. Contact for details.

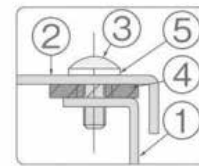
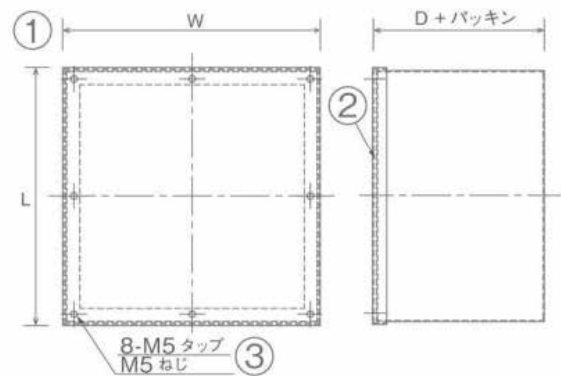
- PULL BOX
- CABLE DUCT
- CABLE LADDER
- STEEL CONDUIT
- FLEXIBLE CONDUIT
- CONDUIT FITTINGS
- FLEXIBLE CONDUIT FITTINGS
- STEEL BOX
- CONDUIT BODIES
- PLASTIC FITTINGS
- PULICA FITTINGS

# REFERENCE

## Hot Clip Galvanized/Covering Lid

### TABLE OF PRODUCT STANDARD

SERIAL PRODUCT	SIZE		
	L	W	D
ZE3520W3	350	350	200
ZE3530W3	350	350	300
ZE3535W3	350	350	350
ZE4020W3	400	400	200
ZE4030W3	400	400	300
ZE4040W3	400	400	400
ZE5020W3	500	500	200
ZE5030W3	500	500	300
ZE5040W3	500	500	400
ZE5050W3	500	500	500
ZE6030W3	600	600	300
ZE6040W3	600	600	400
ZE6050W3	600	600	500
ZE6060W3	600	600	600



ふた取り付け部詳細図

✓ Material: SPHC, plate thickness 3.2 mm.

✓ Hot dip galvanized.

✓ In addition to listed specs, we tailor designs to fit customer needs. Contact for details.

PULL BOX

CABLE DUCT

CABLE LADDER

STEEL CONDUIT

FLEXIBLE CONDUIT

CONDUIT FITTINGS

FLEXIBLE CONDUIT FITTINGS

STEEL BOX

CONDUIT BODIES

PLASTIC FITTINGS

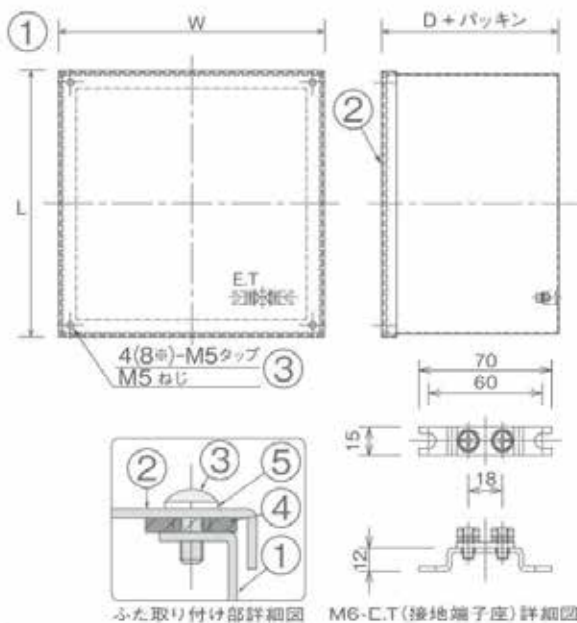
PULICA FITTINGS





Hot Clip Galvanized/Covering Lid

TABLE OF PRODUCT STANDARD



SERIAL PRODUCT	SIZE		
	L	W	D
ZE1007W2	100	100	75
ZE1010W2	100	100	100
ZE1507W2	150	150	75
ZE1510W2	150	150	100
ZE1515W2	150	150	150
ZE2010W2	200	200	100
ZE2015W2	200	200	150
ZE2020W2	200	200	200
ZE2510W2	250	250	100
ZE2515W2	250	250	150
ZE2520W2	250	250	200
ZE2525W2	250	250	250
ZE3010W2	300	300	100
ZE3015W2	300	300	150
ZE3020W2	300	300	200
ZE3025W2	300	300	250
ZE3030W2	300	300	300
ZE3520W2	350	350	200
ZE3530W2	350	350	300
ZE3535W2	350	350	350
ZE4020W2	400	400	200
ZE4030W2	400	400	300
ZE4040W2	400	400	400
ZE5020W2	500	500	200
ZE5030W2	500	500	300
ZE5040W2	500	500	400
ZE5050W2	500	500	500
ZE6030W2	600	600	300
ZP6040W2	600	600	400
ZP6050W2	600	600	500
ZP6060W2	600	600	600

PULL BOX

CABLE DUCT

CABLE LADDER

STEEL CONDUIT

FLEXIBLE CONDUIT

CONDUIT FITTINGS

FLEXIBLE CONDUIT FITTINGS

STEEL BOX

CONDUIT BODIES

PLASTIC FITTINGS

PULICA FITTINGS

✓ Material: SPHC, plate thickness 2.3 mm.

✓ Hot dip galvanized.

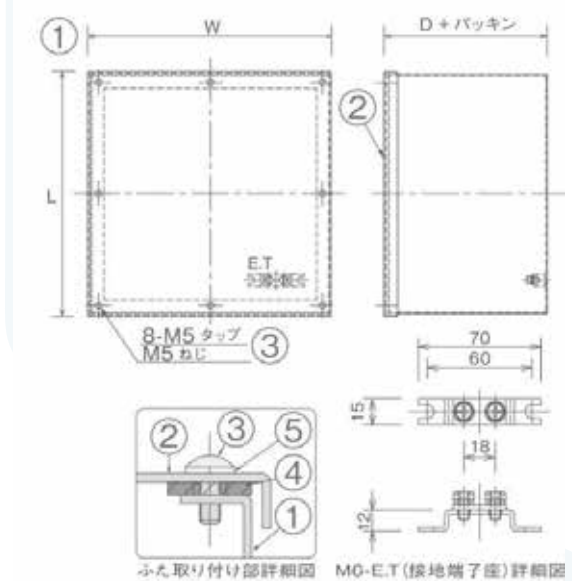
✓ In addition to listed specs, we tailor designs to fit customer needs. Contact for details.

# REFERENCE

## Hot Clip Galvanized/Covering Lid

### TABLE OF PRODUCT STANDARD

SERIAL PRODUCT	SIZE		
	L	W	D
ZE3520W3	350	350	200
ZE3530W3	350	350	300
ZE3535W3	350	350	350
ZE4020W3	400	400	200
ZE4030W3	400	400	300
ZE4040W3	400	400	400
ZE5020W3	500	500	200
ZE5030W3	500	500	300
ZE5040W3	500	500	400
ZE5050W3	500	500	500
ZE6030W3	600	600	300
ZE6040W3	600	600	400
ZE6050W3	600	600	500
ZE6060W3	600	600	600



✓ Material: SPHC, plate thickness 3.2 mm.

✓ Hot dip galvanized.

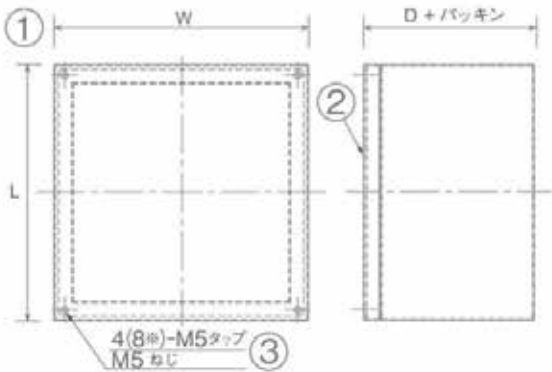
✓ In addition to listed specs, we tailor designs to fit customer needs. Contact for details.

PULL BOX

CABLE  
DUCTCABLE  
LADDERSTEEL  
CONDUITFLEXIBLE  
CONDUITCONDUIT  
FITTINGSFLEXIBLE  
CONDUIT  
FITTINGSSTEEL  
BOXCONDUIT  
BODIESPLASTIC  
FITTINGSPULICA  
FITTINGS

Hot Clip Galvanized/Waterproof

TABLE OF PRODUCT STANDARD



ふた取り付り部詳細図

✓ Material: SPHC, plate thickness 2.3 mm.

✓ Hot dip galvanized+Waterproof.

✓ In addition to listed specs, we tailor designs to fit customer needs. Contact for details.

SERIAL PRODUCT	SIZE		
	L	W	D
ZP1007W2	100	100	75
ZP1010W2	100	100	100
ZP1507W2	150	150	75
ZP1510W2	150	150	100
ZP1515W2	150	150	150
ZP2010W2	200	200	100
ZP2015W2	200	200	150
ZP2020W2	200	200	200
ZP2510W2	250	250	100
ZP2515W2	250	250	150
ZP2520W2	250	250	200
ZP2525W2	250	250	250
ZP3010W2	300	300	100
ZP3015W2	300	300	150
ZP3020W2	300	300	200
ZP3025W2	300	300	250
ZP3030W2	300	300	300
ZP3520W2	350	350	200
ZP3530W2	350	350	300
ZP3535W2	350	350	350
ZP4020W2	400	400	200
ZP4030W2	400	400	300
ZP4040W2	400	400	400
ZP5020W2	500	500	200
ZP5030W2	500	500	300
ZP5040W2	500	500	400
ZP5050W2	500	500	500
ZP6030W2	600	600	300
ZP6040W2	600	600	400
ZP6050W2	600	600	500
ZP6060W2	600	600	600

PULL BOX

CABLE DUCT

CABLE LADDER

STEEL CONDUIT

FLEXIBLE CONDUIT

CONDUIT FITTINGS

FLEXIBLE CONDUIT FITTINGS

STEEL BOX

CONDUIT BODIES

PLASTIC FITTINGS

PULICA FITTINGS

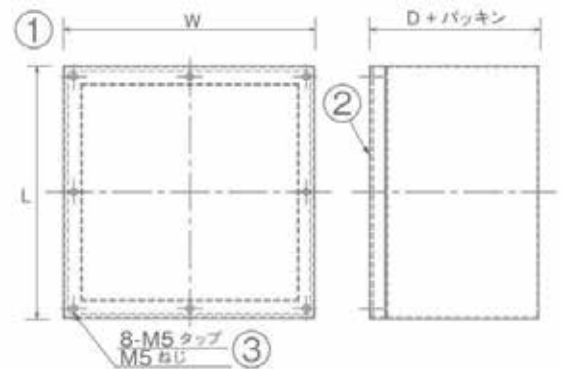


# REFERENCE

## Hot Clip Galvanized/Waterproof

### TABLE OF PRODUCT STANDARD

SERIAL PRODUCT	SIZE		
	L	W	D
ZP3520X3	350	350	200
ZP3530X3	350	350	300
ZP3535X3	350	350	350
ZP4020X3	400	400	200
ZP4030X3	400	400	300
ZP4040X3	400	400	400
ZP5020X3	500	500	200
ZP5030X3	500	500	300
ZP5040X3	500	500	400
ZP5050X3	500	500	500
ZP6030X3	600	600	300
ZP6040X3	600 <td 600	400	
ZP6050X3	600	600	500
ZP6060X3	600	600	600



✓ Material: SPHC, plate thickness 3.2 mm.

✓ Hot dip galvanized+Waterproof.

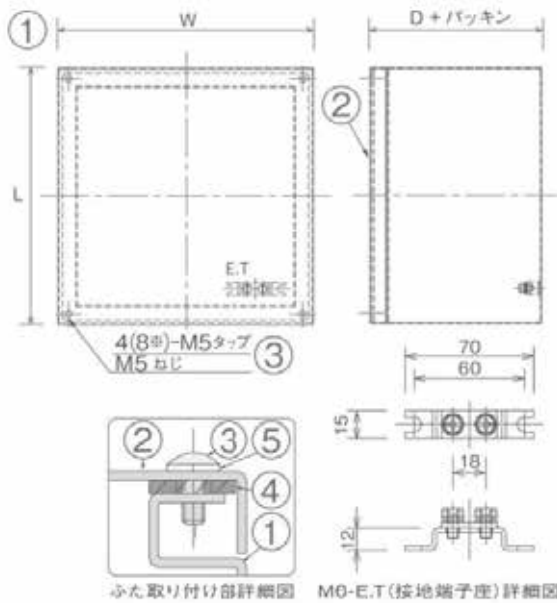
✓ In addition to listed specs, we tailor designs to fit customer needs. Contact for details.

PULL BOX

CABLE  
DUCTCABLE  
LADDERSTEEL  
CONDUITFLEXIBLE  
CONDUITCONDUIT  
FITTINGSFLEXIBLE  
CONDUIT  
FITTINGSSTEEL  
BOXCONDUIT  
BODIESPLASTIC  
FITTINGSPULICA  
FITTINGS

Hot Clip Galvanized/Waterproof

TABLE OF PRODUCT STANDARD



SERIAL PRODUCT	SIZE		
	L	W	D
ZE1007X2	100	100	75
ZE1010X2	100	100	100
ZE1507X2	150	150	75
ZE1510X2	150	150	100
ZE1515X2	150	150	150
ZE2010X2	200	200	100
ZE2015X2	200	200	150
ZE2020X2	200	200	200
ZE2510X2	250	250	100
ZE2515X2	250	250	150
ZE2520X2	250	250	200
ZE2525X2	250	250	250
ZE3010X2	300	300	100
ZE3015X2	300	300	150
ZE3020X2	300	300	200
ZE3025X2	300	300	250
ZE3030X2	300	300	300
ZE3520X2	350	350	200
ZE3530X2	350	350	300
ZE3535X2	350	350	350
ZE4020X2	400	400	200
ZE4030X2	400	400	300
ZE4040X2	400	400	400
ZE5020X2	500	500	200
ZE5030X2	500	500	300
ZE5040X2	500	500	400
ZE5050X2	500	500	500
ZE6030X2	600	600	300
ZE6040X2	600	600	400
ZE6050X2	600	600	500
ZE6060X2	600	600	600

PULL BOX

CABLE DUCT

CABLE LADDER

STEEL CONDUIT

FLEXIBLE CONDUIT

CONDUIT FITTINGS

FLEXIBLE CONDUIT FITTINGS

STEEL BOX

CONDUIT BODIES

PLASTIC FITTINGS

PULICA FITTINGS

✓ Material: SPHC, plate thickness 2.3 mm.

✓ Hot dip galvanized+Waterproof.

✓ In addition to listed specs, we tailor designs to fit customer needs. Contact for details.



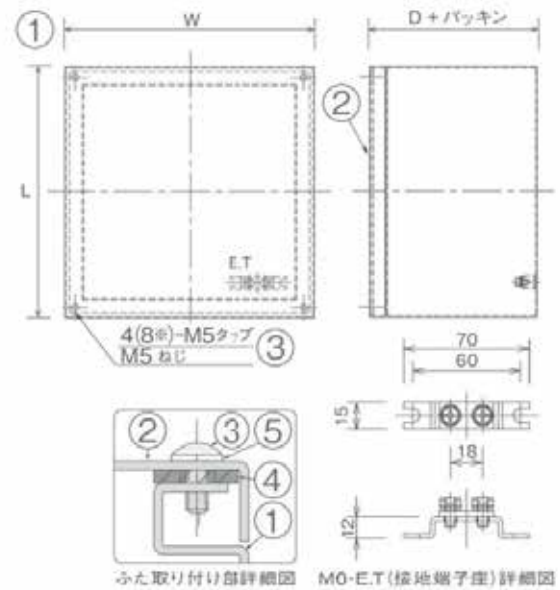


# REFERENCE

## Hot Clip Galvanized/Waterproof

### TABLE OF PRODUCT STANDARD

SERIAL PRODUCT	SIZE		
	L	W	D
ZE3520X3	350	350	200
ZE3530X3	350	350	300
ZE3535X3	350	350	350
ZE4020X3	400	400	200
ZE4030X3	400	400	300
ZE4040X3	400	400	400
ZE5020X3	500	500	200
ZE5030X3	500	500	300
ZE5040X3	500	500	400
ZE5050X3	500	500	500
ZE6030X3	600	600	300
ZE6040X3	600	600	400
ZE6050X3	600	600	500
ZE6060X3	600	600	600



✓ Material: SPHC, plate thickness 3.2 mm.

✓ Hot dip galvanized+Waterproof.

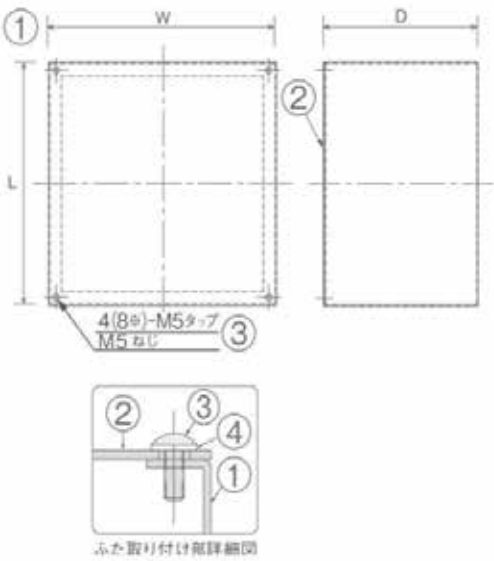
✓ In addition to listed specs, we tailor designs to fit customer needs. Contact for details.

PULL BOX

CABLE  
DUCTCABLE  
LADDERSTEEL  
CONDUITFLEXIBLE  
CONDUITCONDUIT  
FITTINGSFLEXIBLE  
CONDUIT  
FITTINGSSTEEL  
BOXCONDUIT  
BODIESPLASTIC  
FITTINGSPULICA  
FITTINGS

## High Corrosion Resistance Plated Steel Plate/Flat Lid

### TABLE OF PRODUCT STANDARD



SERIAL PRODUCT	SIZE		
	L	W	D
DP1007SN	100	100	75
DP1010SN	100	100	100
DP1507SN	150	150	75
DP1510SN	150	150	100
DP1515SN	150	150	150
DP2010SN	200	200	100
DP2015SN	200	200	150
DP2020SN	200	200	200
DP2510SN	250	250	100
DP2515SN	250	250	150
DP2520SN	250	250	200
DP2525SN	250	250	250
DP3010SN	300	300	100
DP3015SN	300	300	150
DP3020SN	300	300	200
DP3025SN	300	300	250
DP3030SN	300	300	300
DP3520SN	350	350	200
DP3530SN	350	350	300
DP3535SN	350	350	350
DP4020SN	400	400	200
DP4030SN	400	400	300
DP4040SN	400	400	400
DP5020SN	500	500	200
DP5030SN	500	500	300
DP5040SN	500	500	400
DP5050SN	500	500	500
DP6030SN	600	600	300
ZE6040X2	600	600	400
ZE6050X2	600	600	500
ZE6060X2	600	600	600

PULL BOX

CABLE DUCT

CABLE LADDER

STEEL CONDUIT

FLEXIBLE CONDUIT

CONDUIT FITTINGS

FLEXIBLE CONDUIT FITTINGS

STEEL BOX

CONDUIT BODIES

PLASTIC FITTINGS

PULICA FITTINGS

✓ Material: Super Dyma, plate thickness 1.6 mm.

✓ High corrosion resistance plated steel plate.

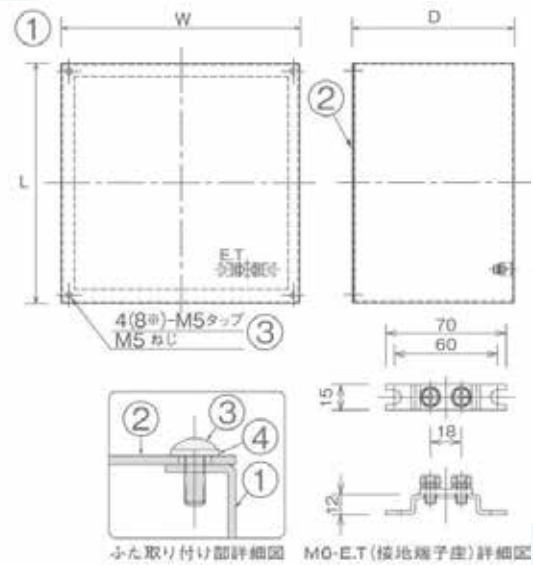
✓ In addition to listed specs, we tailor designs to fit customer needs. Contact for details.

# REFERENCE

## High Corrosion Resistance Plated Steel Plate/Flat Lid

### TABLE OF PRODUCT STANDARD

SERIAL PRODUCT	SIZE		
	L	W	D
DE1007SN	100	100	75
DE1010SN	100	100	100
DE1507SN	150	150	75
DE1510SN	150	150	100
DE1515SN	150	150	150
DE2010SN	200	200	100
DE2015SN	200	200	150
DE2020SN	200	200	200
DE2510SN	250	250	100
DE2515SN	250	250	150
DE2520SN	250	250	200
DE2525SN	250	250	250
DE3010SN	300	300	100
DE3015SN	300	300	150
DE3020SN	300	300	200
DE3025SN	300	300	250
DE3030SN	300	300	300
DE3520SN	350	350	200
DE3530SN	350	350	300
DE3535SN	350	350	350
DE4020SN	400	400	200
DE4030SN	400	400	300
DE4040SN	400	400	400
DE5020SN	500	500	200
DE5030SN	500	500	300
DE5040SN	500	500	400
DE5050SN	500	500	500
DE6030SN	600	600	300
DE6040SN	600	600	400
DE6050SN	600	600	500
DE6060SN	600	600	600



✓ Material: Super Dyma, plate thickness 1.6 mm.

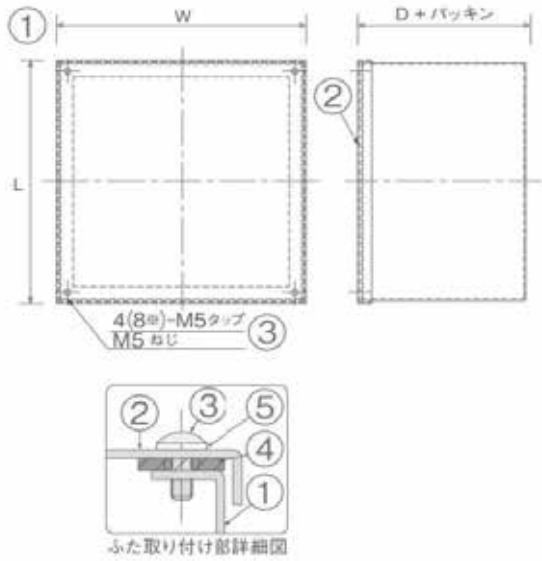
✓ High corrosion resistance plated steel plate.

✓ In addition to listed specs, we tailor designs to fit customer needs. Contact for details.



## High Corrosion Resistance Plated Steel Plate/Covering Lid

### TABLE OF PRODUCT STANDARD



SERIAL PRODUCT	SIZE		
	L	W	D
DP1007WN	100	100	75
DP1010WN	100	100	100
DP1507WN	150	150	75
DP1510WN	150	150	100
DP1515WN	150	150	150
DP2010WN	200	200	100
DP2015WN	200	200	150
DP2020WN	200	200	200
DP2510WN	250	250	100
DP2515WN	250	250	150
DP2520WN	250	250	200
DP2525WN	250	250	250
DP3010WN	300	300	100
DP3015WN	300	300	150
DP3020WN	300	300	200
DP3025WN	300	300	250
DP3030WN	300	300	300
DP3520WN	350	350	200
DP3530WN	350	350	300
DP3535WN	350	350	350
DP4020WN	400	400	200
DP4030WN	400	400	300
DP4040WN	400	400	400
DP5020WN	500	500	200
DP5030WN	500	500	300
DP5040WN	500	500	400
DP5050WN	500	500	500
DP6030WN	600	600	300
DP6040WN	600	600	400
DP6050WN	600	600	500
DP6060WN	600	600	600

✓ Material: Super Dyma, plate thickness 1.6 mm.

✓ High corrosion resistance plated steel plate.

✓ In addition to listed specs, we tailor designs to fit customer needs. Contact for details.

PULL BOX

CABLE DUCT

CABLE LADDER

STEEL CONDUIT

FLEXIBLE CONDUIT

CONDUIT FITTINGS

FLEXIBLE CONDUIT FITTINGS

STEEL BOX

CONDUIT BODIES

PLASTIC FITTINGS

PULICA FITTINGS

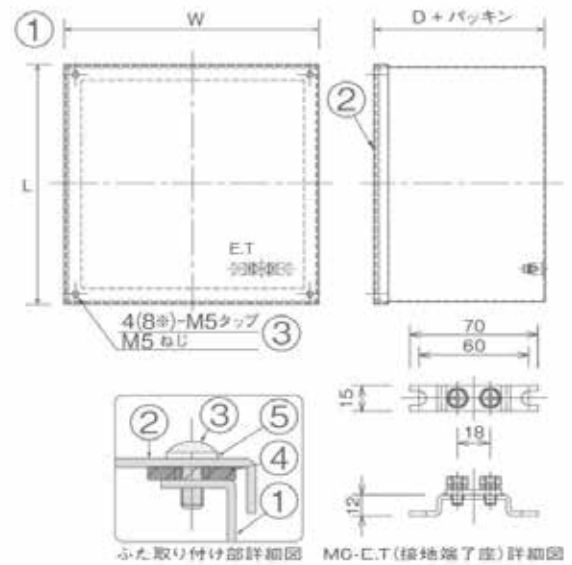


# REFERENCE

## High Corrosion Resistance Plated Steel Plate/Flat Lid

### TABLE OF PRODUCT STANDARD

SERIAL PRODUCT	SIZE		
	L	W	D
DE1007WN	100	100	75
DE1010WN	100	100	100
DE1507WN	150	150	75
DE1510WN	150	150	100
DE1515WN	150	150	150
DE2010WN	200	200	100
DE2015WN	200	200	150
DE2020WN	200	200	200
DE2510WN	250	250	100
DE2515WN	250	250	150
DE2520WN	250	250	200
DE2525WN	250	250	250
DE3010WN	300	300	100
DE3015WN	300	300	150
DE3020WN	300	300	200
DE3025WN	300	300	250
DE3030WN	300	300	300
DE3520WN	350	350	200
DE3530WN	350	350	300
DE3535WN	350	350	350
DE4020WN	400	400	200
DE4030WN	400	400	300
DE4040WN	400	400	400
DE5020WN	500	500	200
DE5030WN	500	500	300
DE5040WN	500	500	400
DE5050WN	500	500	500
DE6030WN	600	600	300
DE6040WN	600	600	400
DE6050WN	600	600	500
DE6060WN	600	600	600



✓ Material: Super Dyma, plate thickness 1.6 mm.

✓ High corrosion resistance plated steel plate.

✓ In addition to listed specs, we tailor designs to fit customer needs. Contact for details.