



**YASHIMA
NBV Co.,LTD**



Line Ladder	38
Horizontal Cross	39
Reducer	39
Elbow	41
Connector	42
Vertical Tee	43

CABLE LADDER ACCESSORIES

MATERIALS

STAINLESS STEEL

SUPER DYMA

HOT DIP GALVANIZED

ZAM

LINE LADDER

TABLE OF PRODUCT STANDARD

√ In addition to listed specs, we tailor designs to fit customer needs.
Contact for details.

Width (mm)	Height (mm)	Length (mm)	Weight (kg)
300	100	3000	17
300	150	3000	22
300	200	3000	27
600	100	3000	22
600	150	3000	27
600	200	3000	31
1000	100	3000	28
1000	150	3000	33
1000	200	3000	37

PULL BOX

CABLE DUCT

CABLE LADDER

STEEL CONDUIT

FLEXIBLE CONDUIT

CONDUIT FITTINGS

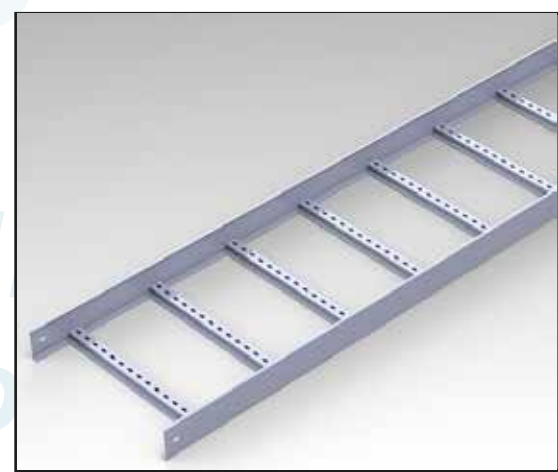
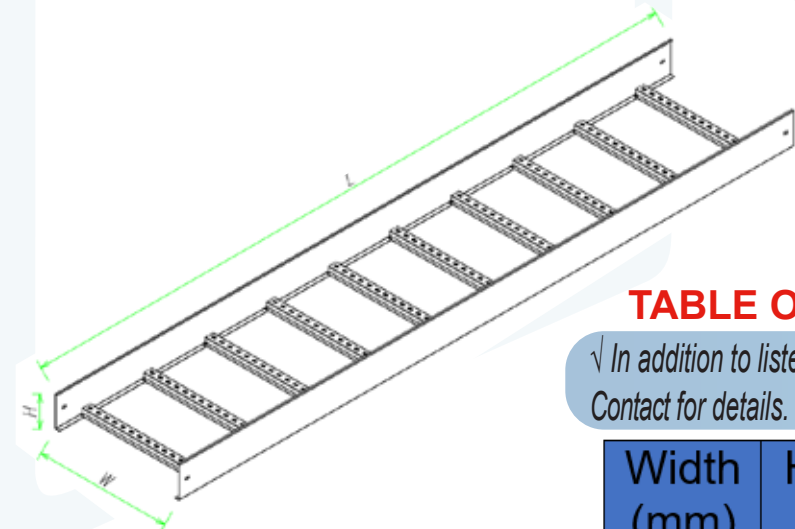
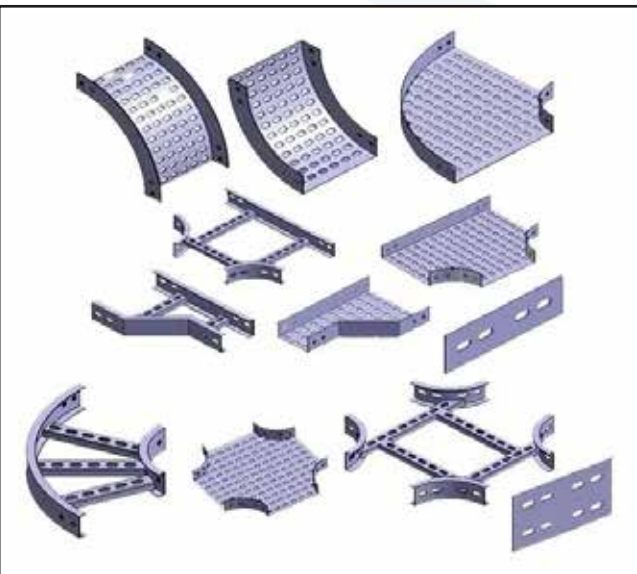
FLEXIBLE CONDUIT FITTINGS

STEEL BOX

CONDUIT BODIES

PLASTIC FITTINGS

PULICA FITTINGS

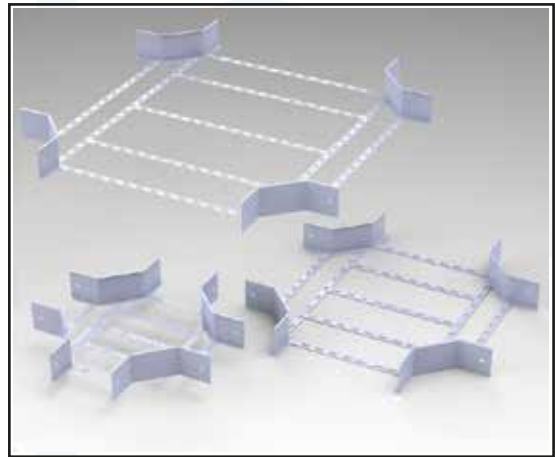
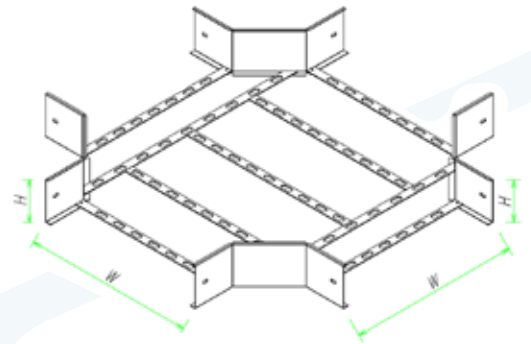


HORIZONTAL CROSS

TABLE OF PRODUCT STANDARD

√ In addition to listed specs, we tailor designs to fit customer needs. Contact for details.

Width Mouth (mm)	Height (mm)	Weight (kg)
300	100	4.98
600	100	7.18
1000	100	7.41
300	150	6.58
600	150	8.78
1000	150	9.02
300	200	8.18
600	200	10.39
1000	200	10.63

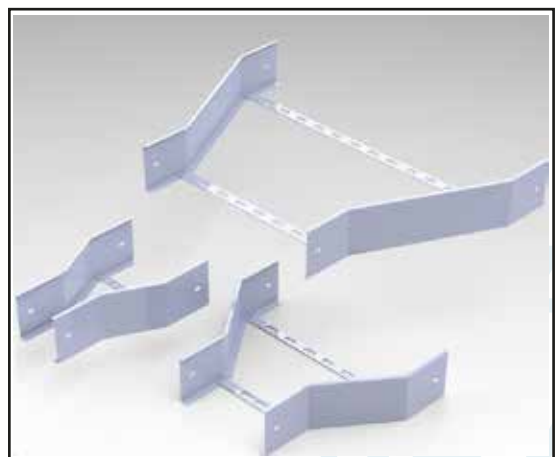
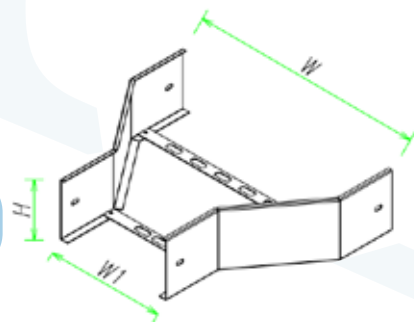


CENTER REDUCER

TABLE OF PRODUCT STANDARD

√ In addition to listed specs, we tailor designs to fit customer needs. Contact for details.

Width Mouth (mm)	Height (mm)	Weight (kg)
300	100	1.95
600	100	2.46
1000	100	3.95
300	150	2.69
600	150	3.33
1000	150	5.13
300	200	3.43
600	200	4.20
1000	200	6.30



- PULL BOX
- CABLE DUCT
- CABLE LADDER
- STEEL CONDUIT
- FLEXIBLE CONDUIT
- CONDUIT FITTINGS
- FLEXIBLE CONDUIT FITTINGS
- STEEL BOX
- CONDUIT BODIES
- PLASTIC FITTINGS
- PULICA FITTINGS

RIGHT HAND REDUCER

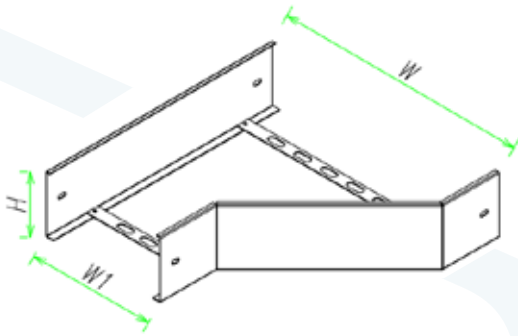
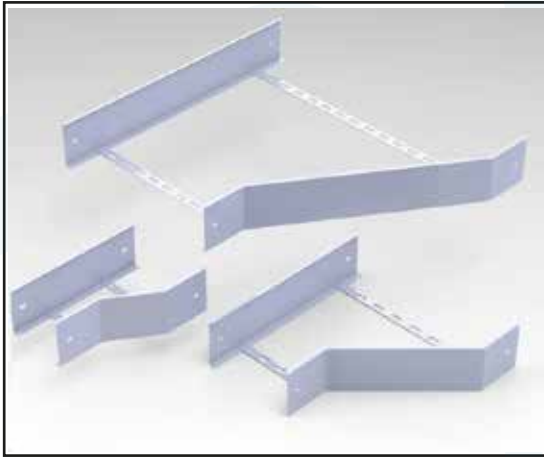


TABLE OF PRODUCT STANDARD

√ In addition to listed specs, we tailor designs to fit customer needs. Contact for details.



Width Mouth (mm)	Height (mm)	Weight (kg)
300	100	1.96
600	100	2.91
1000	100	4.73
300	150	2.69
600	150	3.95
1000	150	6.25
300	200	3.42
600	200	4.99
1000	200	7.76

LEFT HAND REDUCER

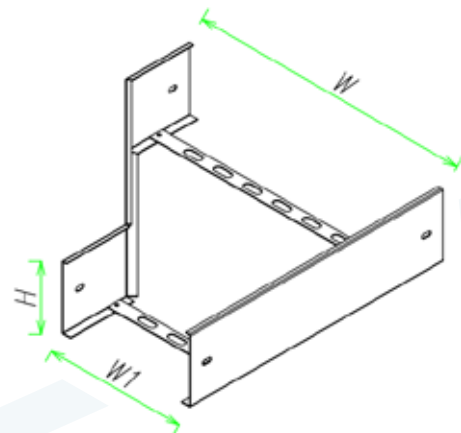
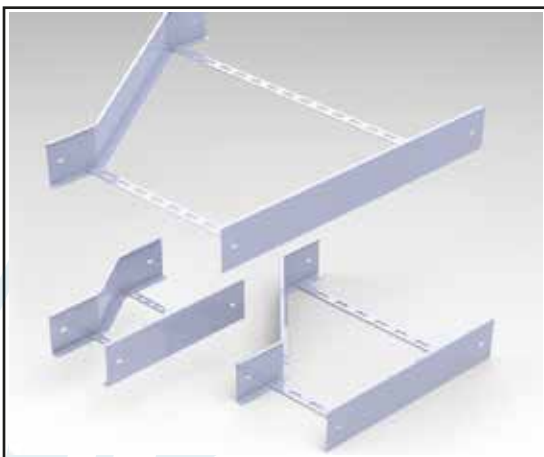


TABLE OF PRODUCT STANDARD

√ In addition to listed specs, we tailor designs to fit customer needs. Contact for details.



Width Mouth (mm)	Height (mm)	Weight (kg)
300	100	1.96
600	100	2.91
1000	100	4.73
300	150	2.69
600	150	3.95
1000	150	6.25
300	200	3.42
600	200	4.99
1000	200	7.76

PULL BOX

CABLE DUCT

CABLE LADDER

STEEL CONDUIT

FLEXIBLE CONDUIT

CONDUIT FITTINGS

FLEXIBLE CONDUIT FITTINGS

STEEL BOX

CONDUIT BODIES

PLASTIC FITTINGS

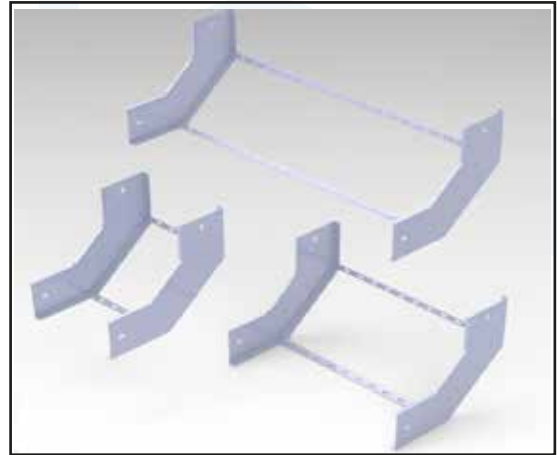
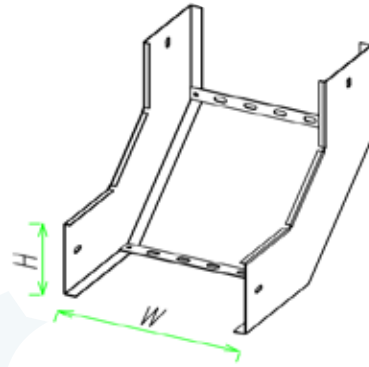
PULICA FITTINGS

VERTICAL INTERNAL ELBOW

TABLE OF PRODUCT STANDARD

√ In addition to listed specs, we tailor designs to fit customer needs. Contact for details.

Width Mouth (mm)	Height (mm)	Weight (kg)
300	100	2.54
600	100	2.74
1000	100	3.01
300	150	3.27
600	150	3.48
1000	150	3.76
300	200	3.88
600	200	4.08
1000	200	4.36

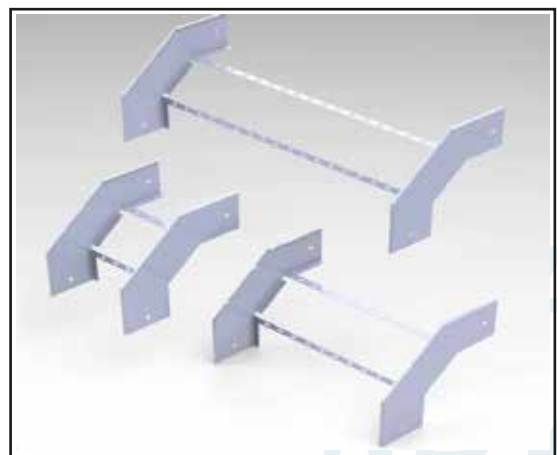
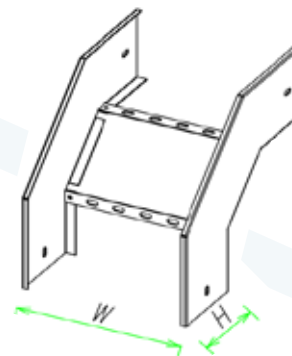


VERTICAL EXTERNAL ELBOW

TABLE OF PRODUCT STANDARD

√ In addition to listed specs, we tailor designs to fit customer needs. Contact for details.

Width Mouth (mm)	Height (mm)	Weight (kg)
300	100	2.50
600	100	2.70
1000	100	2.97
300	150	3.20
600	150	3.40
1000	150	3.67
300	200	3.77
600	200	3.97
1000	200	4.24



CONNECTOR

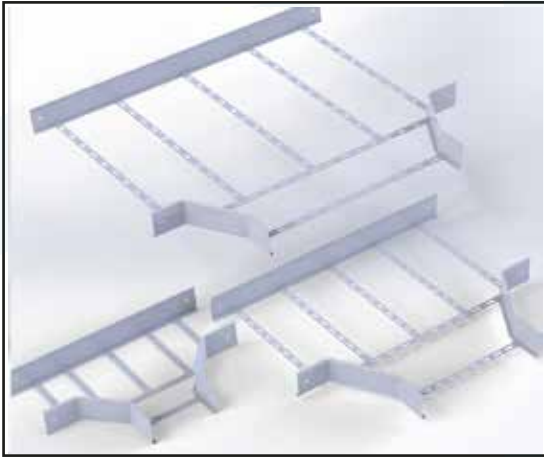
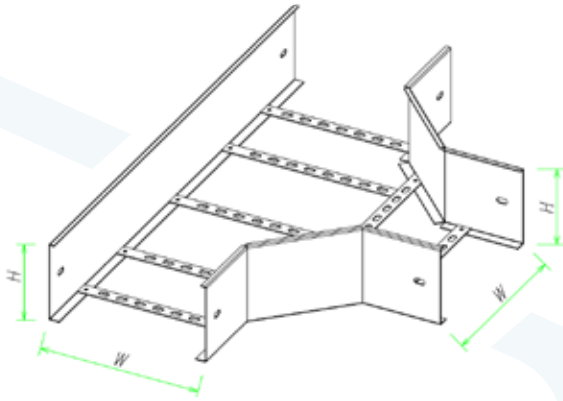
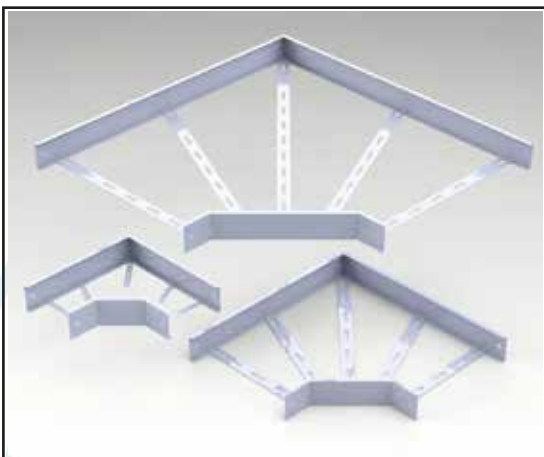
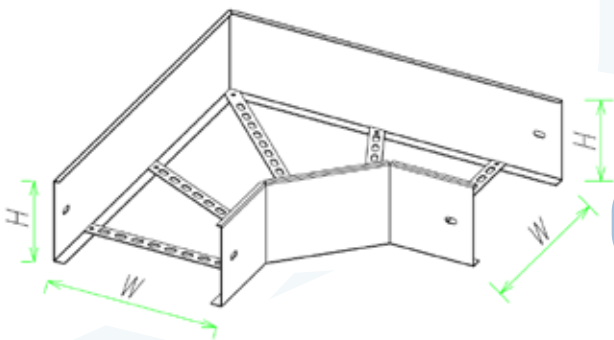


TABLE OF PRODUCT STANDARD

√ In addition to listed specs, we tailor designs to fit customer needs. Contact for details.

Width Mouth (mm)	Height (mm)	Weight (kg)
300	100	4.49
600	100	6.90
1000	100	10.3
300	150	6
600	150	8.77
1000	150	12.48
300	200	7.50
600	200	10.64
1000	200	14.67



HORIZONTAL ELBOW

TABLE OF PRODUCT STANDARD

√ In addition to listed specs, we tailor designs to fit customer needs. Contact for details.

Width Mouth (mm)	Height (mm)	Weight (kg)
300	100	3.88
600	100	8.01
1000	100	13.03
300	150	5.22
600	150	10.09
1000	150	16.28
300	200	6.56
600	200	12.18
1000	200	19.53

PULL BOX

CABLE DUCT

CABLE LADDER

STEEL CONDUIT

FLEXIBLE CONDUIT

CONDUIT FITTINGS

FLEXIBLE CONDUIT FITTINGS

STEEL BOX

CONDUIT BODIES

PLASTIC FITTINGS

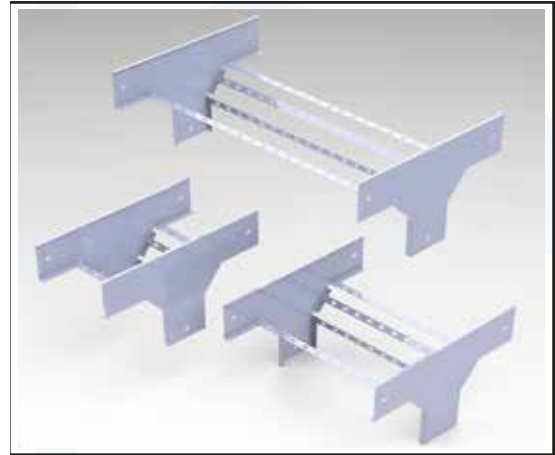
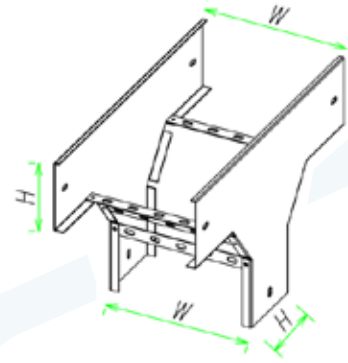
PULICA FITTINGS

VERTICAL TEE

TABLE OF PRODUCT STANDARD

√ In addition to listed specs, we tailor designs to fit customer needs.
Contact for details.

Width Mouth (mm)	Height (mm)	Weight (kg)
300	100	4.33
600	100	4.73
1000	100	5.27
300	150	5.21
600	150	5.61
1000	150	6.15
300	200	6.01
600	200	6.42
1000	200	6.96



PULL BOX

CABLE
DUCTCABLE
LADDERSTEEL
CONDUITFLEXIBLE
CONDUITCONDUIT
FITTINGSFLEXIBLE
CONDUIT
FITTINGS

STEEL BOX

CONDUIT
BODIESPLASTIC
FITTINGSPULICA
FITTINGS